

POWERED BY CHEVY 5.7L VORTEC

50KW GENERATOR PACKAGE

CEG
780.542.2250

CEG - POWERING EFFICIENCY

This 50KW Generator package is built on the dependable and trusted GM 5.7L Vortec Engine. With the ability to function on both Natural Gas (casing gas), and propane gives you the flexibility to operate this unit on any lease.

This unit's small footprint and light weight means that it can be placed almost anywhere to provide consistent and steady power wherever you need it.

Paired with CEG's Maintenance and Service Programs this completes an unparalleled level of service and dependability in the industry.



THE PACKAGE CAN MEET YOUR POWER NEEDS FOR YEARS INTO THE FUTURE.

All GM industrial engines are Vortec engines. Vortec means uncompromised power — outstanding power with no sacrifice in fuel efficiency or durability and very little required maintenance.



Figure 2 - 5.7L Engine

- High-flow cylinder head with straighter intake ports and a higher compression ratio delivers impressive horsepower
- Valvetrain features advanced design silent timing chain for added durability and positive inlet valve stem seals for reduced oil consumption
- Roller valve lifters for reduced friction and improved performance
- Composite front timing cover for noise reduction and corrosion protection
- Water pump features include:
- Revised housing - a reservoir cavity replaces the weep hole
- Upgraded shaft, bearing, and seal for extended life
- Shrouded impeller for improved efficiency
- Cylinder head gaskets have stainless steel core for corrosion resistance

The Vortec 5.7L V-8 engine delivers excellent performance and durability for a variety of

POWERED BY CHEVY 5.7L VORTEC

50KW GENERATOR PACKAGE

CEG
780.542.2250

STANDARD FEATURES

Package Feature

- Easy Access Oil Drain Line C/W Ball Valve
- Easy Access Top Oil Spout
- Gas inlet valve C/W Lockable Handle
- Stainless Steel Vent Lines
- Complete Fan Guard
- Easy Access Cover for Coolant Top Up
- 12V Alternator
- 12V Alternator Belt Guard
- Murphy Oil Level Sight Glass C/W Shutdown Controller
- Battery Disconnect C/W Safety Lockout
- Battery Voltage Indicator
- Oil Pressure Gauge
- RPM Tachometer
- RPM Potentiometer
- Emergency Shutdown Button
- Auxiliary Shutdown Terminal
- Auxiliary Heat Trace Valves
- Lockable Battery Box
- Dual Exhaust C/W Mufflers
- Heavy Duty Oil Containment Skid
- Dual Fuel Scrubber



FILTERS AND FLUID

- Air Filter -
- Oil Filter -
- Suggested Oil - 5W-30 Semi-Synthetic
- Suggested Coolant - 50/50 Ethylene Glycol

TG410 Tough Series AutoStart - Control Panel

- Oil Pressure
- Engine Temperature
- Fuel Level
- Oil Level
- Hour Meter
- RPM
- Real time clock with time/date
- Battery Voltage
- J1939 DTC codes with custom text
- Two customer defined parameters (temperature, pressure, voltage, levels)
- DPF and DEF status icons
- 3-Phase AC Volts, Amps & Hz (for generators)

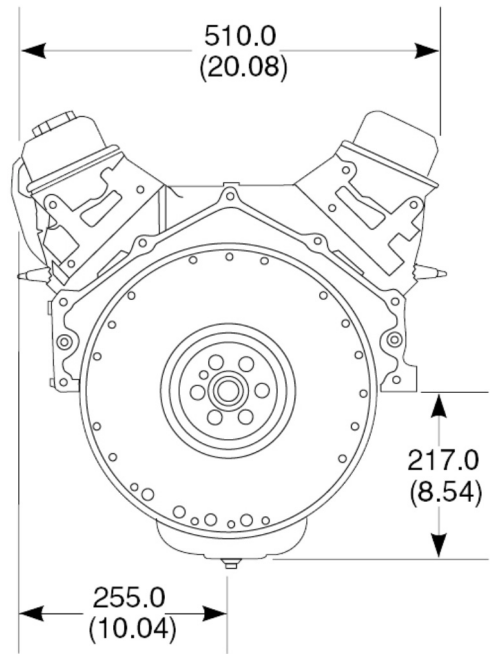
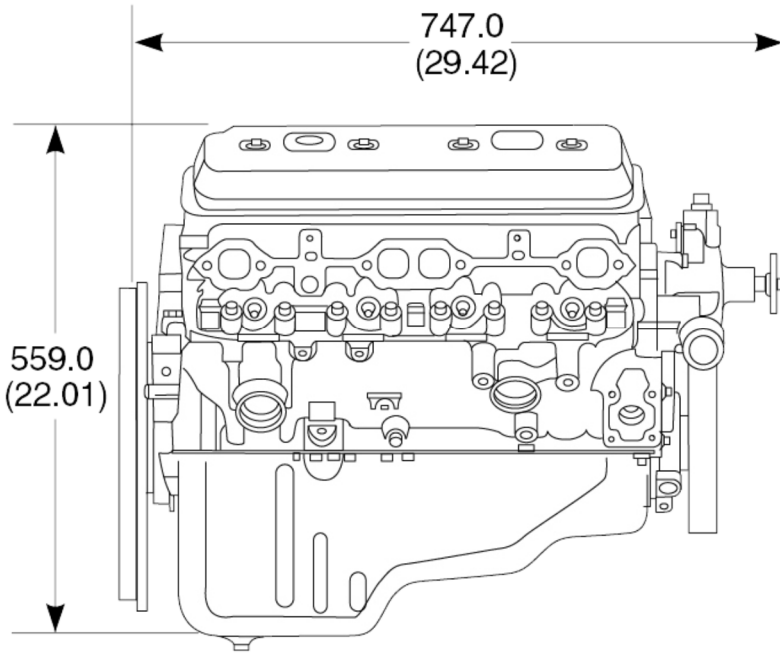


TG410 Tough Series AutoStart - Control panel

POWERED BY CHEVY 5.7L VORTEC

50KW GENERATOR PACKAGE

CCG
780.542.2250



5.7L Engine Dimensions

ENGINE SPECIFICATIONS

TYPE	5.7L V-8 - VORTEX
DISPLACEMENT	5736 CC
EPA CERTIFIED	AVAILABLE
ENGINE ORIENTATION	LONGITUDINAL
COMPRESSION RATION	9.4:1
VALVE CONFIGUATION	OVERHEAD VALVES (2 VALVES PER CYLINDER)
VALVE LIFTERS	HYDRAULIC ROLLER
FIRING ORDER	1-8-4-3-6-5-7-2
BORE & STROKE	101.60 X 88.39MM
MAIN BEARING CAP	4 BOLT MAIN
REAR MAIN SEAL	1 PIECE
INTAKE MANIFOLD	SINGLE PLANE
FUEL SYSTEM	NONE
FUEL TYPE	LP & NG
OIL PAN CAPACITY	12 QT/11.35 L WITH FILTER
ENGINE ROTATION	COUNTER-CLOCKWISE

HORSEPOWER (PEAK)

PROPANE	216HP (161KW) @ 4800 RPM
NATURAL GAS	196 HP (146 KW) @ 4000 RPM

ENGINE CONSTRUCTION

BLOCK	CAST IRON GM232-M
CYLINDER HEADS	CAST IRON
INTAKE MANIFOLD	ALUMINUM
CRANKSHAFT	NODULAR IRON
CAMSHAFT	5150 STEEL BILLET
CONNECTING RODS	FORGED - SAE 1141
PISTONS	MOLY-GRAPHITE COATED
EXHAUST MANIFOLD	CAST IRON
INTAKE SEAT	INDUSTRIAL GRADE SUPER ALLOY
INTAKE VALVES	STAINLESS STEEL
MAIN BEARING CAPS	CAST IRON GM232-M
EMISSIONS CONTROLS	POSITIVE CRANKCASE VENTI-

TORQUE

PROPANE	61308 LB-FT (418 NM) @ 1400 RPM
NATURAL GAS	283 LB-FT (384 NM) @ 1600 RPM

POWERED BY CHEVY 5.7L VORTEC

50KW GENERATOR PACKAGE

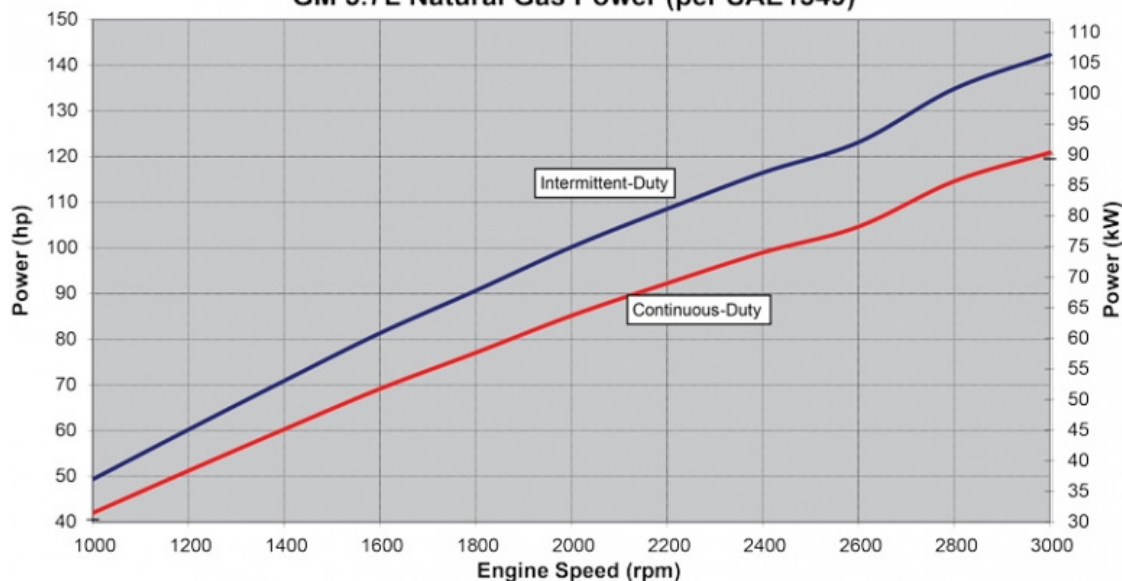


780.542.2250

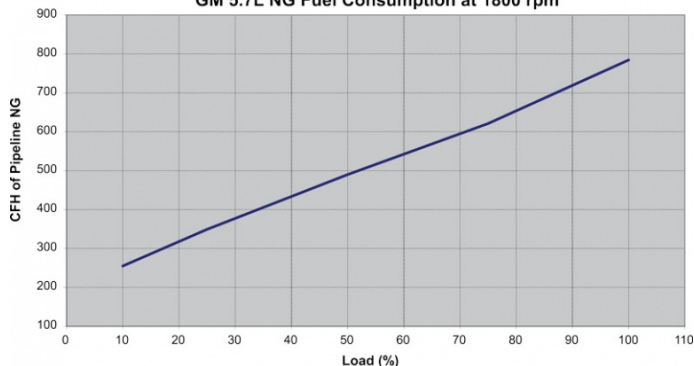
5.7L NATURAL GAS POWER CURVE

Engine Speed (RPM)	Intermittent Torque (ft-lb)	Continuous Torque (ft-lb)	Intermittent HP (BHP)	Continuous HP (BHP)
2400	355	293	162	134
2300	359	295	157	129
2200	364	300	152	125
2100	367	302	147	121
2000	371	306	141	116
1900	375	309	136	112
1800	379	312	130	107
1700	383	315	124	102
1600	387	319	118	97
1500	391	322	112	92

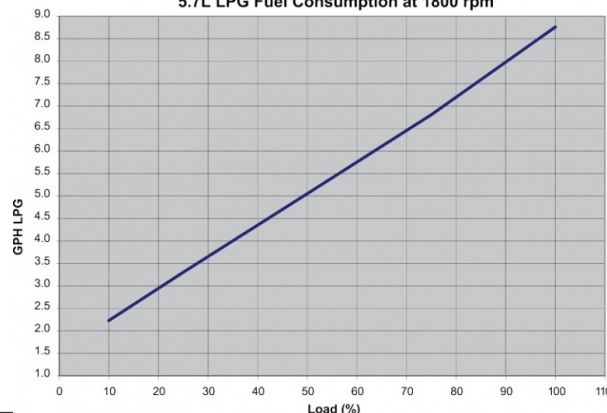
GM 5.7L Natural Gas Power (per SAE1349)



GM 5.7L NG Fuel Consumption at 1800 rpm



5.7L LPG Fuel Consumption at 1800 rpm



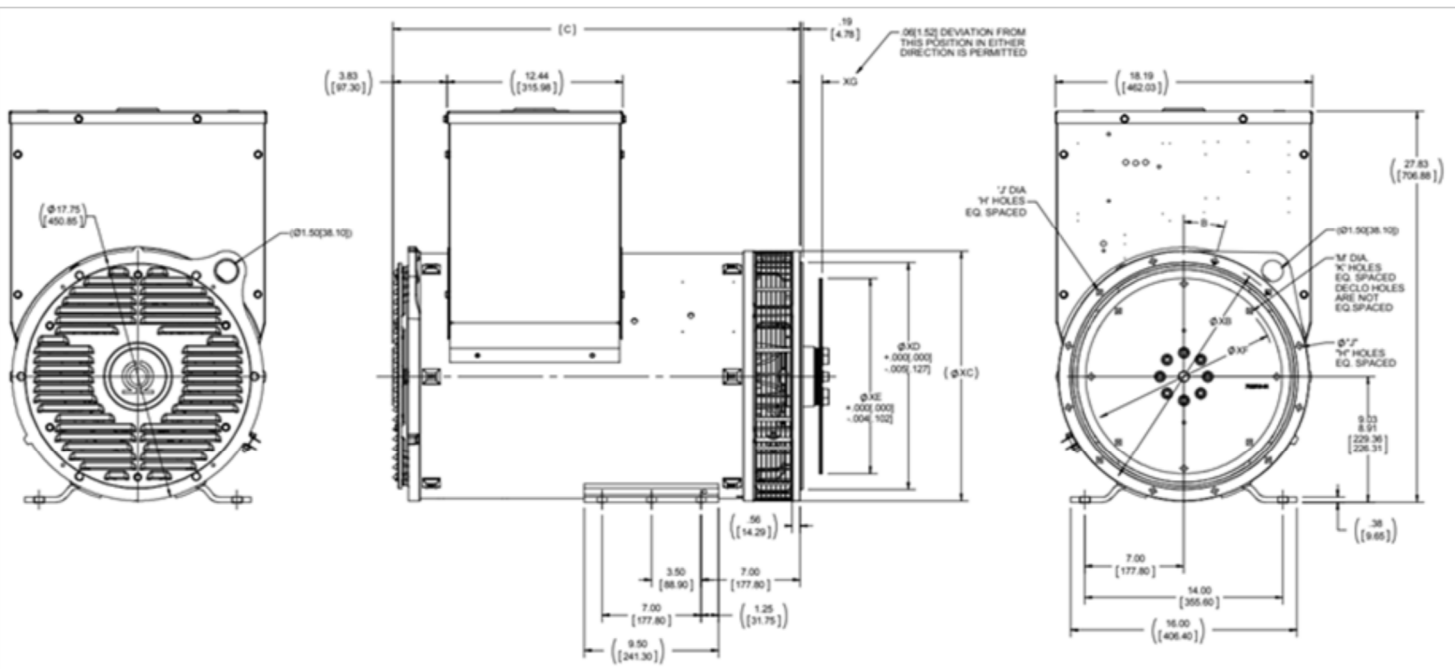
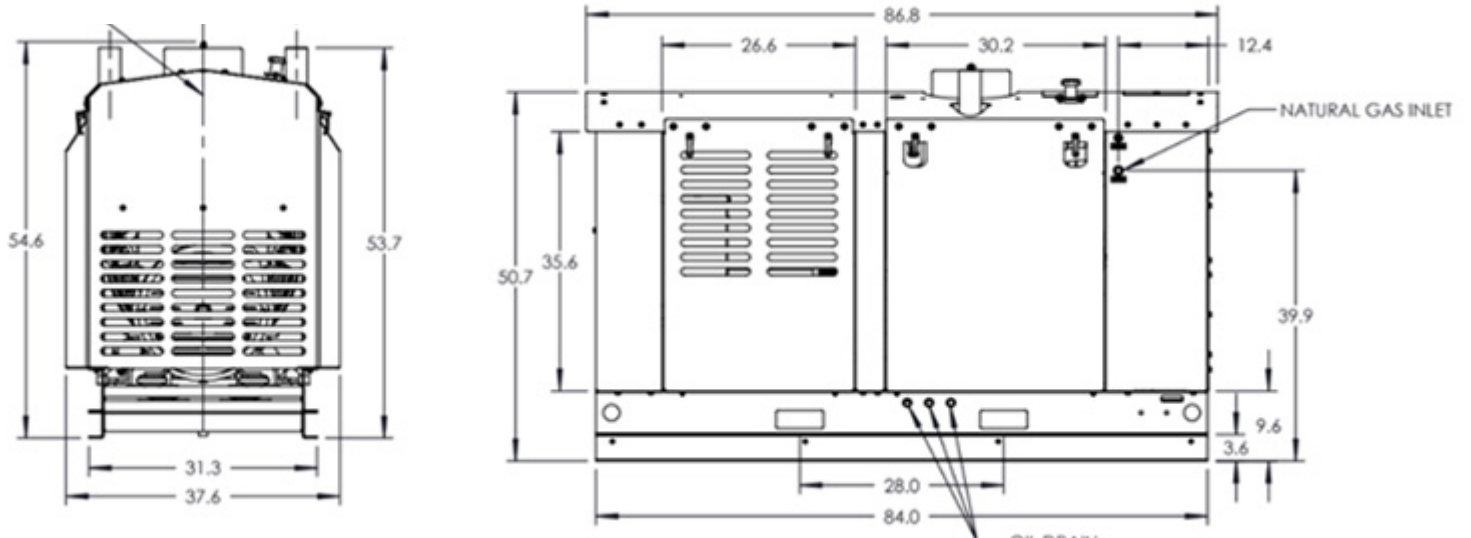
0010-GM-5.7L-GEN

POWERED BY CHEVY 5.7L VORTEC

50KW GENERATOR PACKAGE

CCG
780.542.2250

Generator package Dimensions and Locations



POWERED BY CHEVY 5.7L VORTEC

50KW GENERATOR PACKAGE



Basic Model: 361CSL1602/361PSL1602

Date 3/28/13

Kilowatt ratings at kW (kVA)	1800 RPM			60 Hertz			12 Leads		
	3 Phase			0.8 Power Factor			Dripproof or Open Enclosure		
	Class B	Class F					Class H		
Voltage*	80° C Ⓢ Continuous	90° C Ⓢ Lloyds	95° C Ⓢ ABS	105° C † British Standard	105° C Ⓢ Continuous	130° C Ⓢ Standby	125° C † British Standard	125° C Ⓢ Continuous	150° C Ⓢ Standby
240/480	58 (73)	60 (75)	60 (75)	65 (81)	65 (81)	70 (88)	70 (88)	70 (88)	76 (95)
230/460	55 (69)	57 (71)	57 (71)	62 (77)	62 (77)	67 (83)	67 (83)	67 (83)	72 (90)
220/440	56 (70)	58 (72)	58 (72)	63 (79)	63 (79)	68 (85)	68 (85)	68 (85)	71 (89)
208/416	53 (66)	55 (69)	55 (69)	60 (75)	60 (75)	65 (81)	65 (81)	65 (81)	68 (85)
190/380	48 (60)	50 (62)	50 (62)	55 (69)	55 (69)	60 (75)	60 (75)	60 (75)	62 (78)

Ⓢ Rise by resistance method, Mil-Std-705, Method 680.1b.

† Rating per BS 5000.

